

# CABINET PORTOFINO

## DATA SHEET

Cabinet for softeners "Portofino" Series for 17" and 35" tanks

### FEATURES

- compliant with D.M. 174/04;
- Body, lid and front opening: Polypropylene;
- Pressure tank is separated from the brine tank
- Standard colors: grey/white

### ADVANTAGES

- Ergonomic and innovative shape
- 100% non-toxic, recyclable and food grade material (PP)
- High precision manufacturing;
- Higher level shock and tension resistance;
- Years of service, without problems;
- Innovative design;
- The removable upper part, allows complete accessibility to the pit compartment without having to remove the valve;



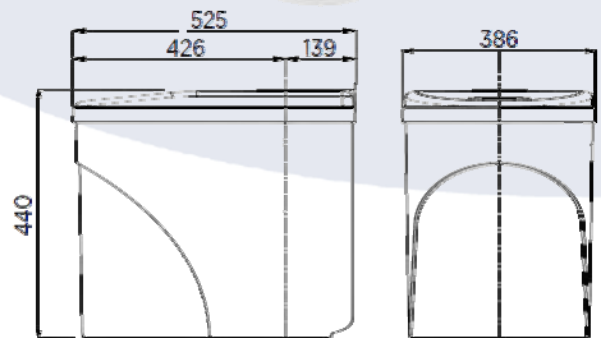
### MODEL MINI

Cabinet dimensions: 386x525x440 mm

Packaging dimensions: 420x620x460 mm

#### Suitable tanks:

- 7"x 17" with base - 8 "x 17" with base
- 9 "x 17" with base -10x 17" with base



### MODEL MAXI

Cabinet dimensions: 386x525x900 mm

Packaging dimensions: 420x620x910 mm

#### Bombole utilizzabili:

- 7"x 35" with base - 8"x 35" with base
- 9 "x 35" with base -10x 35" with base

