



FILTER HOUSINGS, FILTER CARTRIDGES AND VARIOUS FILTERS

PLASTIC HEAD FILTER HOUSINGS - BRASS-HEAD FILTER HOUSINGS - J BIG FILTER HOUSINGS - PLASTIC WASHABLE FILTERING CARTRIDGES - STRING WOUND POLYPROPYLENE FILTERING CARTRIDGES - MELT-BLOWN POLYPROPYLENE FILTER CARTRIDGES - CARBON BLOCK FILTERING CARTRIDGES - GAC GRANULAR ACTIVE CARBON FILTER CARTRIDGES - FILTER CARTRIDGES WITH FILTERING MEDIA - DOUBLE ACTION FILTER CARTRIDGES - STAINLESS STEEL FILTERING CARTRIDGES - PP PLEATED CARTRIDGES - FILTER CARTRIDGES FOR BRASS HEAD FILTER HOUSINGS - CINTROPUR FILTERS - SEMIAUTOMATIC MANUAL CLEANING FILTERS - AUTOMATIC SELF-CLEANING FILTERS - POLYPHOSPHATE BATCHERS AND ACCESSORIES - MAGNETIC DIRT SEPARATORS - CONDENSATION NEUTRALIZER - BOILER KIT - Y TYPE OBLIQUE FILTERS

PLASTIC HEAD FILTER HOUSINGS

3P-CS-K

3-piece filter housings with PP head 3P-CS-K Series



Item-Nr:	Description:
CS10PBST015K	10" 3-Piece filter housing PP Blue-SAN transparent inlet/outlet port ½" F brass w/spanner +bracket
CS10PBST020K	10" 3-Piece filter housing PP Blue-SAN transparent inlet/outlet port ¾" F brass w/spanner +bracket
CS10PBST025K	10" 3-Piece filter housing PP Blue-SAN transparent inlet/outlet port 1" F brass w/spanner +bracket
X3PCSKCH3P	Spanner for 3-P filter housing 3P-CS-K
X3PCSKSP01	Single support bracket in plastic for housing 3P-CS-K

3P-CS-MA

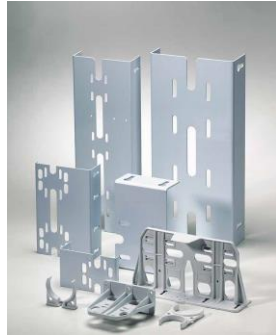
3-piece filter housings with PP head 3P-CS-MA Series



Item-Nr:	Description:
CS09PBST012A	9¾" 3-Piece filter housing PP Blue-SAN transparent MA Series inlet/outlet port ½" F brass
CS09PBST034A	9¾" 3-Piece filter housing PP Blue-SAN transparent MA Series inlet/outlet port ¾" F brass
CS09PBST100A	9¾" 3-Piece filter housing PP Blue-SAN transparent MA Series inlet/outlet port 1" F brass
CS20PBST012A	20" 3-Piece filter housing PP Blue-SAN transparent MA Series inlet/outlet port ½" F brass
CS20PBST034A	20" 3-Piece filter housing PP Blue-SAN transparent MA Series inlet/outlet port ¾" F brass
CS20PBST100A	20" 3-Piece filter housing PP Blue-SAN transparent MA Series inlet/outlet port 1" F brass

ACCESSORI 3P-CS-MA

Accessories for filter housings 3P-CS-MA



Accessories for 3-piece housings in plastic

Item-Nr:	Description:
CH3PEA	Spanner for 3-P filter housing 3P-CS-MA
KITVITICS093PA	Complete kit of 4 pcs zinc-plated screws M 4.8 x 19 UNI 6954 + washer for MA series
XEASP1TZA	Single support bracket in plastic for housing 3P-CS-MA with wall attachments

3P-Mini 3W

3-Piece 3-way Mini filter housings



3-WAY MINI FILTERS for various uses: Polyphosphate dispensers with special internal tube and distributor, sediment prefilter with Mini filter cartridge 4 "NA washable or FA 4" PP string wound. The cap that can be positioned on any of the three connections allows installation in line or at an angle.

CONSTRUCTION MATERIALS - Head and ring nut: reinforced PP
 - Bowl: edible SAN - Threaded inserts: Brass
 - O-ring: NBR - Burst pressure: 25 bar C
OPERATING CONDITIONS
 - Operating temperature: + 1 ° C / + 45 ° C - Operating pressure: 8 bar MAX

Item-Nr:	Description:
3V043W0001500	3P-Mini 3W Filter housing PP-SAN transparent conn. 1/2" 3-way F in brass (empty)
3V043W02015KP	3P-Mini 3W Filter housing PP-SAN transparent conn. 1/2" 3-way F in brass (with polyphosphate tube kit)
3V043W02015PF	3P-Mini dosing bacther 3-way conn. Brass inserts 1/2" F with polyphosphate crystals
3V043W03015NA	3P-Mini 3W Filter housing PP-SAN transparent conn. 1/2" 3-way F in brass (with washable NA cartridge)
3V043W05015FA	3P-Mini 3W Filter housing PP-SAN transparent conn. 1/2" 3-way F in brass (w/ FA-PP bobbin wound cartr.

2P MINI 3W

2-Piece 3-way Mini filter housings



2-WAY MINI FILTERS for various uses: Polyphosphate dispensers with special internal tube and distributor, sediment prefilter with Mini filter cartridge 4" NA washable or FA 4" PP string wound. The cap that can be positioned on any of the three connections allows installation in line or at an angle.

CONSTRUCTION MATERIALS - Head t: reinforced PP
 - Bowl: edible SAN - Threaded inserts: Brass
 - O-ring: NBR - Burst pressure: 25 bar C **OPERATING CONDITIONS**
 - Operating temperature: + 1 ° C / + 45 ° C - Operating pressure: 8 bar MAX

Item-Nr:	Description:
2V043W02015KP	2P-Mini 3W Filter housing PP-SAN transparent conn. ½" 3-way F in brass (with polyphosphate tube kit)
2V043W02015PF	2P-Mini dosing bacther 3-way conn. Brass inserts ½" F with polyphosphate crystals
2V043W03015NA	2P-Mini 3W Filter housing PP-SAN transparent conn. ½" 3-way F in brass (with washable NA cartridge)
2V043W05015FA	2P-Mini 3W Filter housing PP-SAN transparent conn. ½" 3-way F in brass (w/ FA-PP bobbin wound cartr.

2P-S Hot Water

2-piece housings for HOT WATER



- Reinforced PA head
 -Vase: reinforced PA - Threaded inserts: plastic
 - Vent: Plastic - O-Ring: NBR - Burst pressure: = 35 bar **OPERATING TEMPERATURE: 0 ° - 110 °**

Item-Nr:	Description:
EAHW09PA012GBW	10" 2piece filter housing for HOT WATER inlet/outlet port ½" F plastic
EAHW09PA034GBW	10" 2piece filter housing for HOT WATER inlet/outlet port ¾" F plastic
EAHW09PA100GBW	10" 2piece filter housing for HOT WATER inlet/outlet port 1" F plastic

BRASS-HEAD FILTER HOUSINGS

CT-OTCS Brass head

Brass head housings with SAN bowl



Operating pressure: 8 bar - Max Temperature 30 ° C Nickel-plated brass -
Transparent SAN bowl
(°) = use only special cartridges R0-type PE-BX / SSL-BX / SSP-BX

Item-Nr:	Description:
CT09OTST020GS	9¾" 3-Piece filter housing brass head-bowl SAN transparent inlet/outlet port ¾" F 2500 l/h
CT09OTST025GS	9¾" 3-Piece filter housing brass head-bowl SAN transparent inlet/outlet port 1" F 3900 l/h
CT10OTST032GS	10" 3-Piece filter housing brass head-bowl SAN transparent inlet/outlet port 1¼" F 6200 l/h (°)
CT10OTST040GS	10" 3-Piece filter housing brass head-bowl SAN transparent inlet/outlet port 1½" F 10000 l/h (°)
CT10OTST050GS	10" 3-Piece filter housing brass head-bowl SAN transparent inlet/outlet port 2" F 13000 l/h (°)
CT20OTST020GS	20" 3-Piece filter housing brass head-bowl SAN transparent inlet/outlet port ¾" F 3500 l/h
CT20OTST025GS	20" 3-Piece filter housing brass head-bowl SAN transparent inlet/outlet port ¾"1" F 5000 l/h
CT20OTST032GS	20" 3-Piece filter housing brass head-bowl SAN transparent inlet/outlet port 1¼" F 8000 l/h (°)
CT20OTST040GS	20" 3-Piece filter housing brass head-bowl SAN transparent inlet/outlet port 1½" F 12500 l/h (°)
CT20OTST050GS	20" 3-Piece filter housing brass head-bowl SAN transparent inlet/outlet port 2" F 16000 l/h (°)
XCT09OTVAS	9¾" bowl of SAN transparent for CT Series filter housings with brass head
XCT20OTVAS	20" bowl of SAN transparent for CT Series filter housings with brass head
XCTCHI	Galvanised steel spanner for CT Series filter housings with brass head
XCTSTAF01	Single metal bracket for CT Series filter housings with brass head

J BIG FILTER HOUSINGS

J-BIG housings

"J BIG" large diameter housings



Item-Nr:	Description:
WB09PNPB100	10" Jr Big "Jumbo" 2-piece filter housing plastic inlet/outlet port 1"
WB09PNPB112	10" Jr Big "Jumbo" 2-piece filter housing plastic inlet/outlet port 1½"
WB09PNPB114	10" Jr Big "Jumbo" 2-piece filter housing plastic inlet/outlet port 1¼"
WB20PNPB100	20" Jr Big "Jumbo" 2-piece filter housing plastic inlet/outlet port 1"
WB20PNPB112	20" Jr Big "Jumbo" 2-piece filter housing plastic inlet/outlet port 1½"
WBCH	Spanner for J Big housings

PLASTIC WASHABLE FILTERING CARTRIDGES

NA-WASH-DOE

Cartridges in washable polyester mesh with double open end (DOE)



CONSTRUCTION MATERIALS

- Core : Polypropylene LV30
- Caps : Polypropylene LV30
- Filtering mesh: Polyester

Silicone APPLICATIONS

General sediment filtration i.e. sand, rust, impurities

Residential use: Pre-filtration of drinking water and/or any system requiring pre-treatment i.e.pumps, heating systems, taps, water softeners etc

- Seals :

Industrial use: Pre-filtration of any system requiring sediment pre- filtration i.e.pumps,irrigation, industrial/commercial systems etc.

Average life : approx. 2 years Maintenance: rinse every 2-3

monthsOPERATING CONDITIONS

- Operating temperature :

+1°C/+45°C

AVAILABLE LENGTHS

4" - 5" - 7" - 9 ¾" - 20 "

Rating : 60 microns * (Special micron ratings available upon request)

Item-Nr:	Description:
QU04NP060OPD	NA 4" washable filter cartridge Nylon 60 µm
QU05NP060OPD	NA 5" washable filter cart. Nylon 800 l/h 60µ
QU07NP060WW	NA 7" washable filter cart. Nylon 1200 l/h 60µ
QU10NP060WW	NA 9¾" washable filter cart. Nylon 1800 l/h 60µ
QU20NP060WW	NA 20" washable filter cart. Nylon 60µ for housing 3P

STRING WOUND POLYPROPYLENE FILTERING CARTRIDGES

FA-PP-DOE

Polypropylene string wound sediment cartridges with double open end (DOE)



APPLICATIONS

General sediment filtration i.e. fine sand, rust, fine impurities

Residential use: Pre-filtration of drinking water and/or any system requiring pre-treatment i.e.pumps, heating systems, taps, water softeners etc

Industrial use: Pre-filtration of any system requiring sediment pre- filtration i.e.pumps,irrigation, industrial/commercial systems,technical use of water in chemical, petrochemical,photographic, galvanotechnical, pharmaceutical fields.

Average life : approx. 3-6 months

Maintenance: None (throw-away)

Item-Nr:	Description:
AM05PP001	FA 5" string wound PP cartridge 1 µm
AM05PP005	FA 5" string wound PP cartridge 5 µm
AM05PP010	FA 5" string wound PP cartridge 10 µm
AM05PP020	FA 5" string wound PP cartridge 800 l/h - 20- 25 µ
AM05PP050	FA 5" string wound PP cartridge 50 µm
AM07PP005	FA 7" string wound PP cartridge 5 µm
AM07PP020	FA 7" string wound PP cartridge 20-25 µm
AM07PP050	FA 7" string wound PP cartridge 50 µm
AM10PP001	FA 10" string wound PP cartridge 1 µm
AM10PP005	FA 10" string wound PP cartridge 5 µm
AM10PP010	FA 10" string wound PP cartridge 10 µm
AM10PP020	FA 10" string wound PP cartridge 20-25 µm
AM10PP050	FA 10" string wound PP cartridge 50 µm
AM20PP001	FA 20"string wound PP cartridge 1 µm
AM20PP005	FA 20"string wound PP cartridge 5 µm
AM20PP010	FA 20"string wound PP cartridge 10 µm
AM20PP020	FA 20"string wound PP cartridge 20 µm
AM20PP050	FA 20"string wound PP cartridge 50 µm
AM30PP020	FA 30"string wound PP cartridge 20 µm
AM40PP020	FA 40"string wound PP cartridge 20 µm

FA-PP BIG

Polypropylene string wound sediment cartridges with double open end (DOE) for J BIG housings



APPLICATIONS

General sediment filtration i.e. fine sand, rust, fine impurities

Residential use: Pre-filtration of drinking water and/or any system requiring pre-treatment i.e.pumps, heating systems, taps, water softeners etc

Industrial use: Pre-filtration of any system requiring sediment pre- filtration i.e.pumps,irrigation, industrial/commercial systems,technical use of water in chemical, petrochemical,photographic, galvanotechnical, pharmaceutical fields.

Average life : approx. 3-6 months

Maintenance: None (throw-away)

Item-Nr:	Description:
AMB10PP005DOE	FA 10" BIG string wound PP cartridge 5 µm for J BIG housings
AMB10PP020DOE	FA 10" BIG string wound PP cartridge 20 µm for J BIG housings
AMB10PP050DOE	FA 10" BIG string wound PP cartridge 50 µm for J BIG housings
AMB20PP005DOE	FA 20" BIG string wound PP cartridge 5 µm for J BIG housings
AMB20PP020DOE	FA 20" BIG string wound PP cartridge 20 µm for J BIG housings
AMB20PP050DOE	FA 20" BIG string wound PP cartridge 50 µm for J BIG housings

MELT-BLOWN POLYPROPYLENE FILTER CARTRIDGES

MB-PP-DOE

Polypropylene melt-blown cartridges (DOE)



APPLICATIONS

General sediment filtration i.e. fine sand, rust, fine impurities

Residential use: Pre-filtration of drinking water and/or any system requiring pre-treatment i.e.pumps, heating systems, taps, water softeners, reverse osmosis etc

Industrial use: Pre-filtration of any system requiring sediment pre- filtration i.e.pumps,irrigation, industrial/commercial systems,technical use of water in chemical, petrochemical,photographic, galvanotechnical, pharmaceutical fields.

Average life : approx. 3-6 months

Maintenance: None (throw-away)

CONSTRUCTION MATERIALS

- Filtering body : Polypropylene fibres

OPERATING CONDITIONS
- Operating temperature : +1°C/+45°C

AVAILABLE LENGHTS

5" - 7" - 9 ¾" - 20" - 30" - 40"

FEATURES

- Standard Rating : 5 micron *

* : Special micron ratings available upon request

Item-Nr:	Description:
MB09PP0010	9 7/8" x 2,4" (25 x 60 cm) polypropylene melt-blown cartridge 1 µm
MB09PP0050	9 7/8" x 2,4" (25 x 60 cm) polypropylene melt-blown cartridge 5 µm
MB09PP0100	9 7/8" x 2,4" (25 x 60 cm) polypropylene melt-blown cartridge 10 µm
MB09PP0200	9 7/8" x 2,4" (25 x 60 cm) polypropylene melt-blown cartridge 25 µm
MB09PP0500	9 7/8" x 2,4" (25 x 60 cm) polypropylene melt-blown cartridge 50 µm
MB20PP0010	20" x 4,3" (50 x 110 cm) polypropylene melt-blown cartridge 1 µm
MB20PP0050	20" x 4,3" (50 x 110 cm) polypropylene melt-blown cartridge 5µm
MB20PP0100	20" x 4,3" (50 x 110 cm) polypropylene melt-blown cartridge 10 µm
MB20PP0200	20" x 4,3" (50 x 110 cm) polypropylene melt-blown cartridge 25 µm
MB20PP0500	20" x 4,3" (50 x 110 cm) polypropylene melt-blown cartridge 50 µm
MB30PP0050	30" polypropylene melt-blown cartridge 5µm
MB40PP0050	40" polypropylene melt-blown cartridge 5µm

MB-BIG

Melt-blown cartridge for J BIG housings (DOE)



Item-Nr:	Description:
MBB09PP001	Filter cartridge 9 7/8" x 4,3" (25 x 110 cm)melt-blown polypropylene 1 µm for J BIG housings
MBB09PP005	Filter cartridge 9 7/8" x 4,3" (50 x 110 cm)melt-blown polypropylene 5 µm for J BIG housings
MBB09PP010	Filter cartridge 9 7/8" x 4,3" (50 x 110 cm)melt-blown polypropylene 10 µm for J BIG housings
MBB09PP020	Filter cartridge 9 7/8" x 4,3" (50 x 110 cm)melt-blown polypropylene 20 µm for J BIG housings
MBB09PP050	Filter cartridge 9 7/8" x 4,3" (50 x 110 cm)melt-blown polypropylene 50 µm for J BIG housings
MBB20PP001	Filter cartridge 20" x 4,3" (50 x 110 cm)melt-blown polypropylene 1 µm for J BIG housings
MBB20PP005	Filter cartridge 20" x 4,3" (50 x 110 cm)melt-blown polypropylene 5 µm for J BIG housings
MBB20PP010	Filter cartridge 20" x 4,3" (50 x 110 cm)melt-blown polypropylene 10 µm for J BIG housings
MBB20PP020	Filter cartridge 20" x 4,3" (50 x 110 cm)melt-blown polypropylene 20 µm for J BIG housings
MBB20PP050	Filter cartridge 20" x 4,3" (50 x 110 cm)melt-blown polypropylene 50 µm for J BIG housings

CARBON BLOCK FILTERING CARTRIDGES

CB SUPER BLOCK-DOE

Carbon block cartridge with double open end (DOE)



APPLICATIONS

Chlorine reduction and removal of bad tastes and smells. Pesticides and insecticides reduction. Organic material reduction.

Residential use: Drinking water, chlorine and heavy-metals reduction, bad taste and odour removal in drinking water systems.

Industrial use: Chlorine reduction in food, chemical, petrochemical, photographic, galvanotechnical, pharmaceutical industry. Ro membrane protection Average life : approx. 3 months

Maintenance: None (throw away)

AVAILABLE LENGHTS

5" - 9 ¾" - 10" - 20"

OPERATING CONDITIONS

- Operating temperature : +1°C/+45°C

FEATURES

- Standard Rating : 5 micron *

* : Special micron ratings available upon request

Item-Nr:	Description:
CB05CE0050	Carbon block cartridge 5" netted 5 µm
CB09CC005000	Carbon block cartridge 9¾" netted 5 µm
CB10CC005	Carbon block cartridge 10" netted 5 µm
CB20CC0050	Carbon block cartridge 20" netted 5 µm

CB-BIG

Carbon block cartridge for J BIG housings (DOE)



Item-Nr:	Description:
CBB09PP010	Carbon block cartridge 9¾" 10 µ for J BIG housings
CBB20PP010	Carbon block cartridge 20" 10 µ for BIG SIZE housings

GAC GRANULAR ACTIVE CARBON FILTER CARTRIDGES

GAC Carbone attivo granulare-DOE

GAC granular activated activated carbon cartridge with double open end (DOE)



Bad tastes and odours, heavy-metals, chlorine and additives removal.

APPLICATIONS Chlorine reduction and removal of bad tastes and smells.

Pesticides, insecticides and heavy-metals reduction. Organic material reduction. Residential use: Drinking water, chlorine and heavy-metals reduction, bad taste and odour removal in drinking water systems.

Industrial use: Chlorine reduction in food, chemical, petrochemical, photographic, galvanotechnical, pharmaceutical industry. Ro membrane protection Average life : approx. 3 months

Maintenance: None (throw-away)

CONS

Item-Nr:	Description:
GAC09CCON0	GAC 9" activated carbons filt. cartridge
GAC10CCON0	GAC 10" activated carbons filt. cartridge

FILTER CARTRIDGES WITH FILTERING MEDIA

MEDIA-PF-DOE

Polyphosphate crystals scale preventing cartridges with double open end (DOE)



APPLICATIONS

General anti-scaling and pipe protection .
 Residential use: Anti-scaling and pipe protection of domestic water supply systems, appliances.
 Industrial use: Anti-scaling and pipe protection of industrial water supply systems, appliances.
 Maintenance: (none) throw-away. For a correct use replace this cartridge whenever the polyphosphate level drops to halfway of the initial level

OPERATING CONDITIONS

- Operating temperature : +1°C/+45°C

AVAILABLE LENGHTS

9 3/4" - 20"

FEATURES

Item-Nr:

Description:

CV09PF

MULTI-PF 9 3/4" filt.cartridge w/polyphosphate crystals

MEDIA-CT-DOE

Cartridge w/cation resin for water softening with double open end (DOE)



APPLICATIONS

General anti-scaling and pipe protection .
 Residential use: Anti-scaling and pipe protection of domestic water supply systems, appliances.
 Industrial use: Anti-scaling and pipe protection of industrial water supply systems, appliances.
 Maintenance: (none) throw-away.

OPERATING CONDITIONS

- Operating temperature : +1°C/+45°C

AVAILABLE LENGHTS

9 3/4" -20"

Item-Nr:

Description:

JV09CT001

MULTI-PF 9 3/4" filt.cartridge w/cation resin for water softening

MEDIA-MB-DOE

Cartridge w/mixed bed resin for demineralisation with double open end (DOE)



APPLICATIONS

Any application requiring demineralised water
 Residential use: Any application requiring demineralised water
 Industrial use: Any application requiring demineralised water
 Maintenance: (none) throw-away.

OPERATING CONDITIONS

- Operating temperature : +1°C/+45°C

AVAILABLE LENGHTS

9 ¾" -20"

Item-Nr:	Description:
JE09MBST	MULTI-PF 9¾" filt.cartridge w/mixed-bed resin for desalination

MEDIA-ASM-DOE

Cartridge w/selective resin for arsenic removal with double open end (DOE)



APPLICATIONS

Residential use: Any application requiring nitrates removal from water
 Industrial use: Any application requiring nitrates removal from water
 Average life: approx. 10-12 months
 Maintenance: (none) throw-away.

OPERATING CONDITIONS

- Operating temperature: +1°C/+45°C

AVAILABLE LENGHTS

9 ¾" -20"

Item-Nr:	Description:
JV09ASM00	MULTI-ASM 9¾" filt.cartridge w/selective resin for arsenic removal
JV20ASM00	MULTI-ASM 20" filt.cartridge w/selective resin for arsenic removal
JVBB10ASM00	MULTI-BB ASM 10" filt.cartridge BIG SIZE cw/selective resin for arsenic removal
JVBB20ASM00	MULTI-BB ASM 20" filt.cartridge BIG SIZE cw/selective resin for arsenic removal

MEDIA-NI-DOE

Cartridge w/selective resin for nitrate removal with double open end (DOE)



APPLICATIONS

Residential use: Any application requiring nitrates removal from water

Industrial use: Any application requiring nitrates removal from water

Average life : approx. 10-12 months

Maintenance: (none) throw-away.

CONSTRUCTION MATERIALS

Industrial

OPERATING CONDITIONS

- Operating temperature : +1°C/+45°C

AVAILABLE LENGHTS

9 3/4" -20"

Item-Nr: Description:

JV09NI000 MULTI-PF 9 3/4" filt.cartridge w/selective resin for nitrate removal

MEDIA-AN-DOE

Cartridge w/anion resin with double open end (DOE)



APPLICATIONS

Maintenance: (none) throw-away.

OPERATING CONDITIONS

- Operating temperature : +1°C/+45°C

AVAILABLE LENGHTS

9 3/4" -20"

Item-Nr: Description:

JE09AN001 MULTI-PF 9 3/4" filt.cartridge w/anion resin

STAINLESS STEEL FILTERING CARTRIDGES

SPL Steel SC Series A304 Smooth A304 stainless steel mesh SC Series filter cartridges w/double open end (DOE)



Item-Nr:	Description:
RLSCLX10G025NBR	A304 10" Stainless steel mesh (pleated, stapled) filtering cartridge 25 µm mesh w/ DOE NBR seals
RLSCLX10G040NBR	A304 10" Stainless steel mesh (pleated, stapled) filtering cartridge 40 µm mesh w/ DOE NBR seals
RLSCLX10G060NBR	A304 10" Stainless steel mesh (pleated, stapled) filtering cartridge 60 µm mesh w/ DOE NBR seals

SPL Steel SC BIG Series A304 Smooth A304 stainless steel mesh SC BIG Series filter cartridges w/double open end (DOE)



Item-Nr:	Description:
RLSCBLX10G060NBRW	A304 10" Big Stainless steel mesh filtering cartridge 60 µm mesh w/ DOE NBR seals

**STPX Steel C (bonded)
A304**

**Smooth A304 stainless steel mesh (bonded version)
filter cartridges w/double open end (DOE)**



APPLICATIONS Filtration of: sand, scale, rust.
 Domestic use: filtration of drinking water, protection of taps, boilers, washing machines and other installations.
 Technical use: pre-filtration for pumps, irrigation systems, protection of industrial installations and other installations, water filtration brackish (special version in stainless steel AISI 316) Constructed with metal mesh in AISI 304 or 316 Inner tube completely in Aisi 316 Max differential pressure: - Plated Bonded Ø and 58: 15 bar @ 25 ° C
 - Pleated bonded Ø 68: 8 bar @ 25 ° C
 - Pleated stapled: 8 bar @ 25 ° C

- Cylindrical plain bonded Ø 58: 6 bar @ 25 ° C
 - Cylindrical plain bonded Ø 68: 6 bar @ 25 ° C
 - Cylindrical plain stapled Ø 58: 5 bar @ 25 ° C
 - Cylindrical plain stapled Ø 68: 5 bar @ 25 ° C
- Available with Polypropylene or Stainless Steel connection ends
 Filtration grade 25 µm filter 50 µm 70 µm 100 µm (other filtration ratgrades available on request) Other lengths available on request

Item-Nr:	Description:
RLSTPX10C025NBR	A304 10" Stainless steel mesh (plain, bonded) filtering cartridge 25 µm mesh w/ DOE NBR seals
RLSTPX10C050NBR	A304 10" Stainless steel mesh (plain, bonded) filtering cartridge 50 µm mesh w/ DOE NBR seals
RLSTPX10C070NBR	A304 10" Stainless steel mesh (plain, bonded) filtering cartridge 70 µm mesh w/ DOE NBR seals
RLSTPX10C100NBR	A304 10" Stainless steel mesh (plain, bonded) filtering cartridge 100 µm mesh w/ DOE NBR seals

**STPX Steel G (stapled)
A304**

**Smooth A304 stainless steel mesh (stapled version) filter
cartridges w/double open end (DOE)**



Item-Nr:	Description:
RLSTPX10G025NBR	A304 10" Stainless steel mesh (plain, stapled) filtering cartridge 25 µm mesh w/ DOE NBR seals
RLSTPX10G050NBR	A304 10" Stainless steel mesh (pleated, stapled) filtering cartridge 50 µm mesh w/ DOE NBR seals
RLSTPX10G070NBR	A304 10" Stainless steel mesh (pleated, stapled) filtering cartridge 70 µm mesh w/ DOE NBR seals
RLSTPX10G100NBR	A304 10" Stainless steel mesh (plain, stapled) filtering cartridge 100 µm mesh w/ DOE NBR seals

**SPLX Steel C (bonded)
A304**

Pleated A304 stainless steel mesh (bonded version) filter cartridges w/double open end (DOE)



Item-Nr:	Description:
RLSPLX10C025NBR	A304 10" Stainless steel mesh (pleated, bonded) filtering cartridge 25 µm mesh w/ DOE NBR seals
RLSPLX10C050NBR	A304 10" Stainless steel mesh (pleated, bonded) filtering cartridge 50 µm mesh w/ DOE NBR seals
RLSPLX10C070NBR	A304 10" Stainless steel mesh (pleated, bonded) filtering cartridge 70 µm mesh w/ DOE NBR seals
RLSPLX10C100NBR	A304 10" Stainless steel mesh (pleated, bonded) filtering cartridge 100 µm mesh w/ DOE NBR seals

**SPLX Steel G (stapled)
A304**

Pleated A304 stainless steel mesh (stapled version) filter cartridges w/double open end (DOE)



Item-Nr:	Description:
RLSPLX10G025NBR	A304 10" Stainless steel mesh (pleated, stapled) filtering cartridge 25 µm mesh w/ DOE NBR seals
RLSPLX10G050NBR	A304 10" Stainless steel mesh (pleated, stapled) filtering cartridge 50 µm mesh w/ DOE NBR seals
RLSPLX10G070NBR	A304 10" Stainless steel mesh (pleated, stapled) filtering cartridge 70 µm mesh w/ DOE NBR seals
RLSPLX10G100NBR	A304 10" Stainless steel mesh (pleated, stapled) filtering cartridge 100 µm mesh w/ DOE NBR seals

PP PLEATED CARTRIDGES

Pleated

Pleated cartridges in polypropylene or cellulose for sediment filtration (DOE)



Item-Nr:	Description:
PL09CL0050	9 3/4" pleated cellulose cartridge 5 µm
PL09CL020	9 3/4" pleated cellulose cartridge 20 µm
PL19CL005	19 3/4" pleated cellulose cartridge 5 µm
PL20CL020	20" pleated cellulose cartridge 20 µm

FILTER CARTRIDGES FOR BRASS HEAD FILTER HOUSINGS

RL-PE-BX nylon mesh

Filtering cartridges polyester washable mesh quick coupling w/double O-RING 45 MM



Item-Nr:	Description:
RLBX10PE050	RLBX washable mesh filtering cartridge 10" 50µm PE - quick insert doubleO-ring 45 mm
RLBX20PE050	RLBX washable mesh filtering cartridge 10" 50µm PE - quick insert double O-ring 45 mm

RL-SSP-BX inox

Filtering cartridges AISI304 Stainless steel mesh (pleated) quick coupling double O-RING 45 MM



Item-Nr:	Description:
RLBX10SSP050	RLBX SSL washable filtering cartridge 10" 50µm AISI304 Stainless steel mesh (pleated) - quick insert double O-
RLBX20SSP050	RLBX SSL washable filtering cartridge 20" 50µm AISI304 Stainless steel mesh (pleated) - quick insert double O-

RL-SSL-BX inox

Filtering cartridges AISI304 Stainless steel mesh(plain)quick coupling w/double O-RING 45 MM



Item-Nr:	Description:
RLBX10SSL070	RLBX SSL washable filtering cartridge 10" 70µm AISI304 Stainless steel mesh (plain) - quick insert double O-ring
RLBX20SSL070	RLBX SSL washable filtering cartridge 20" 70µm AISI304 Stainless steel mesh (plain) - quick insert double O-ring

CINTROPUR FILTERS

CINTROPUR-DOM

CINTROPUR Domestic filters



Item-Nr:	Description:
CFWCCNW250	Cintropur NW250 Domestic filter 1" flow rate 5,5 m3/h
CFWCCNW320	Cintropur NW320 Domestic filter 1 ¼" flow rate 6,5 m3/h
FWCC001NW250	Cintropur NW250 filter sleeves 1 micron (set of 5 pcs)
FWCC001NW320	Cintropur NW320 filter sleeves 1 micron (set of 5 pcs)
FWCC005NW250	Cintropur NW250 filter sleeves 5 micron (set of 5 pcs)
FWCC005NW320	Cintropur NW320 filter sleeves 5 micron (set of 5 pcs)
FWCC010NW250	Cintropur NW250 filter sleeves 10 micron (set of 5 pcs)
FWCC010NW320	Cintropur NW320 filter sleeves 10 micron (set of 5 pcs)
FWCC025NW250	Cintropur NW250 filter sleeves 25 micron (set of 5 pcs)
FWCC025NW320	Cintropur NW320 filter sleeves 25 micron (set of 5 pcs)
FWCC050NW250	Cintropur NW250 filter sleeves 50 micron (set of 5 pcs)
FWCC050NW320	Cintropur NW320 filter sleeves 50 micron (set of 5 pcs)
FWCC100NW250	Cintropur NW250 filter sleeves 100 micron (set of 5 pcs)
FWCC100NW320	Cintropur NW320 filter sleeves 100 micron (set of 5 pcs)
FWCC150NW250	Cintropur NW250 filter sleeves 150 micron nylon (set of 5 pcs)
FWCC150NW320	Cintropur NW320 filter sleeves 150 micron nylon (set of 5 pcs)
FWCC300NW250	Cintropur NW250 filter sleeves 300 micron nylon nylon (set of 5 pcs)
FWCC300NW320	Cintropur NW320 filter sleeves 300 micron nylon nylon (set of 5 pcs)
XXFWCC-DOM	CINTROPUR - Domestic filters - Spare parts - Prices on request

CINTROPUR-NW 400

CINTROPUR NW 400 - Semi-industrial filters



Item-Nr:	Description:
CFWCCNW400	Cintropur NW400 Semi-industrial filter 1 1/2" flow rate 12 m3 / h
FWCC001NW400	Cintropur NW400 filter sleeves 1 micron (set of 5 pcs)
FWCC005NW400	Cintropur NW400 filter sleeves 5 micron (set of 5 pcs)
FWCC010NW400	Cintropur NW400 filter sleeves 10 micron (set of 5 pcs)
FWCC025NW400	Cintropur NW400 filter sleeves 25 micron (set of 5 pcs)
FWCC050NW400	Cintropur NW400 filter sleeves 50 micron (set of 5 pcs)
FWCC150NW400	Cintropur NW400 filter sleeves 150 micron nylon (set of 5 pcs)
FWCC300NW400	Cintropur NW400 filter sleeves 300 micron nylon nylon (set of 5 pcs)
XXCIN-IND	CINTROPUR - Semi-industrial & industrial filters - Spare Parts prices on request

**CINTROPUR-NW
500/650/800**

CINTROPUR NW 500/650/800 - Industrial filters



GENERAL DESCRIPTION

Made entirely from first quality synthetic material, CINTROPUR® filters are perfectly suitable for food products and drinking water. The CINTROPUR® vane transforms the liquid flow into a centrifugal spin by throwing the larger particles down into the lower bowl, according to the chosen filter sleeve micron-size. **BASIC PRINCIPLE** - Protection of industrial as well as residential and agricultural installations by filtering the solid particles (earth, sand, rust, etc,...) suspended in the water.

APPLICATIONS - INDUSTRY : Protection of sanitary fittings and machine tools. **AGRICULTURE** : Filtration of watering (spraying) installations; Filtration of water for animals; Filtration of rainwater and well water. **GROUPS**: (hotels, restaurants, schools, buildings, ...) protection of the sanitary installations and all electrical/domestic appliances. **INNOVATIVE & ECOLOGICAL PRODUCT MADE IN BELGIUM** **ADVANTAGES** : high and constant flow rate low pressure drop - centrifugal prefiltration with a cyclonal effect **ADVANTAGES** : high and constant flow rate low pressure drop - centrifugal prefiltration with a cyclonal effect robustness and reliability - fast and easy flushing out - permanent visual control of the filter sleeve (transparent bowl) - exclusive system, ecological and not expensive (filter sleeve)

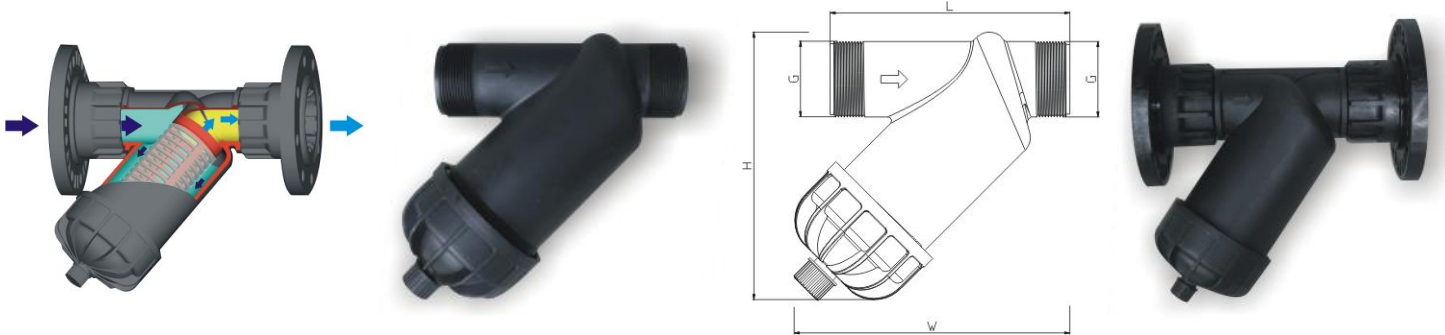
Item-Nr:	Description:
CFWCCNW500	Cintropur NW500 industrial filter 2" flow rate 18 m3 / h
CFWCCNW650	Cintropur NW650 industrial filter 2 1/2" flow rate 25 m3 / h

CFWCCNW800	Cintropur NW800 industrial filter 3" flow rate 32 m3 / h
FWCC001NW500	Cintropur NW500/650/800 filter sleeves 1 micron (set of 5 pcs)
FWCC005NW500	Cintropur NW500/650/800 filter sleeves 5 micron (set of 5 pcs)
FWCC010NW500	Cintropur NW500/650/800 filter sleeves 10 micron (set of 5 pcs)
FWCC025NW500	Cintropur NW500/650/800 filter sleeves 25 micron (set of 5 pcs)
FWCC050NW500	Cintropur NW500/650/800 filter sleeves 50 micron (set of 5 pcs)
FWCC150NW500	Cintropur NW500/650/800 filter sleeves 150 micron nylon (set of 5 pcs)
FWCC300NW500	Cintropur NW500/650/800 filter sleeves 300 micron nylon nylon (set of 5 pcs)

Y TYPE OBLIQUE FILTERS

Y-FILTER

Y-Type oblique filters



Item-Nr:	Description:
CSLYF020	CSL Y Type oblique filter conn ¼" in/out - 80 µm mesh
CSLYF025	CSL Y Type oblique filter conn 1" in/out - 80 µm mesh
CSLYF040	CSL Y Type oblique filter conn 1,5" in/out - 80 µm mesh
CSLYF050	CSL Y Type oblique filter conn 2" in/out - 80 µm mesh
CSLYF065	CSL Y Type oblique filter conn DN65 Falnge in/out - 80 µm mesh
CSLYF080	CSL Y Type oblique filter conn DN80 Falnge in/out - 80 µm mesh

SEMI-AUTOMATIC MANUAL CLEANING FILTERS

MOS-TECH - Made in Italy NO-DRIP SYSTEM

Semi-automatic Self-cleaning filters MOS-TECH - Featuring New Innovative "No-Drip" System



Activating the rotary washing activates the rotation of the internal system of filtration that will be brushed entirely in its surface. Upon maneuvering cleaning the dirt accumulated on the cartridge and inside the glass will be discharged. This system does not present the problem of the replacement of the filter cartridge or clean it, with the significant economic and practical advantages. The anti-drip-drip and throat no deposit of dirt, allowing the exhaust system to function properly over the life of the filter, even in extreme conditions, avoiding unpleasant water leakage from the drain or locking system. With this technology, the discharge will pass from the open / closed position by rotation and will always be clean and free of impurities which can compromise the correct operation. filter cartridge triple layer - The filter cartridge 90 microns is formed by three layers. The inner layer or support body drilled serves to give support to the mesh filter and strengthen the cartridge.

The welding of the head of the cartridge and consequently its uniform surface avoids dangerous stresses of the brushes and of the filtering mesh, concentrating the energy of brushing only to removal of dirt rather than to the deformation of the cylinder. The middle layer improves the passage of water acting as a speaker and providing further support to the layer dedicated to attract dirt. The last layer or mesh filter fits perfectly on the cylinder surface for increased reliability. MOS is built with high quality materials suitable for use for drinking water SPECIFICATIONS Attacks ½ "F ¾" F 1 "F 1 ¼" F
Flow m3 / h (DP = 0.2 bar) 3.5 5 6 7 - Pressure MIN / MAX 1.5 / 10 bar
Degree of filtration 90 microns -Water Temperature MIN / MAX ° C 5/40
Drain connection: anti-reflux in accordance with the Standard European UNI EN 1717/2002

Item-Nr:	Description:
MOS20020A	MOS-Tech semi-automatic self-cleaning filter "No-Drip" ¾"- M 90 µm - max 83 l/m
MOS20025A	MOS-Tech semi-automatic self-cleaning filter "No-Drip" 1"- M 90 µm - max 100 l/m
MOS20032A	MOS-Tech semi-automatic self-cleaning filter "No-Drip" 1 ¼"- M 90 µm -max 116 l/m

PLT SR / PLT R

Manual Self-cleaning filters PLT SR / PLT R series

FILTRO CON RIDUTTORE

Schema	¾"	1"	1-1/4"
A mm.	344	344	344
B mm.	237	237	237
C mm.	167	167	167
D mm.	217	235	235

MODELLO	Portata l/min. max.	Portata l/min. consigli.	Risparmio in pollici.	Temper. acqua max. °C	Press. max in source.	Peso in Kg.
PLT SR ¾"	70	40	¾"	40	16	2,340
PLT SR 1"	100	60	1"	40	16	2,770
PLT SR 1-1/4"	130	90	1-1/4"	40	16	3,020
PLT SR 1-1/2"	160	120	1-1/2"	40	16	3,080
PLT R ¾"	70	40	¾"	40	16	3,800
PLT R 1"	100	60	1"	40	16	3,940
PLT R 1-1/4"	130	90	1-1/4"	40	16	3,970

Double-action manual cleaning filter. Cleaning is achieved by turning the upper handle clockwise activating counter rinse operation and draining all residual impurities.

Item-Nr:	Description:
PLT020SR	PLT-SR self-cleaning filter ¾"- M 89 µm - max 70 l/m - PN 16
PLT025SR	PLT-SR Manual self-cleaning filter conn.1"- M 100 µm - max 100 l/m - PN 16

PLT032SR	PLT-SR Manual self-cleaning filter conn.1¼"- M 100 µm - max 130 l/m - PN 16
PLT040SR	PLT-SR Manual self-cleaning filter conn.1½"- M 100 µm - max 160 l/m - PN 16
PLT050SR	PLT-SR Manual self-cleaning filter conn.2"- M 100 µm - max 240 l/m - PN 16

SF-102 BRASS

Brass head manual backwash filters



Double-action manual cleaning filter. Cleaning is achieved by turning the upper handle clockwise activating counter rinse operation and draining all residual impurities.

Item-Nr:	Description:
----------	--------------

SF12BM1CMVTF02	SF102 Brass head manual backwash filter 1 "- 3/4" M w / pressure gauge w / ball valve+hose kit 1/4"stainless
----------------	--

SF-104 INOX

Manual Self-cleaning filters of stainless steel



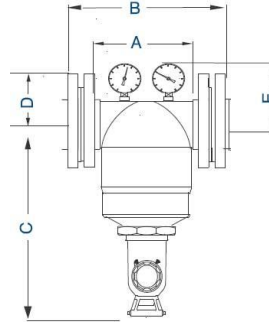
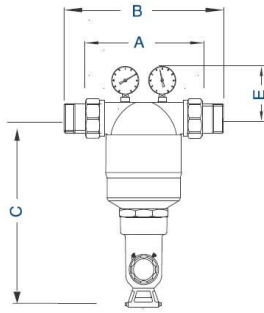
Double-action manual cleaning filter. Cleaning is achieved by turning the upper handle clockwise activating counter rinse operation and draining all residual impurities.

Item-Nr:	Description:
----------	--------------

SF14SM1SMPTF02	SF104 Brass head manual backwash filter 1 "- 3/4" M w/out pressure gauge w /hose nozzle +hose w/stainless
----------------	---

EM-SC

Manual Self-cleaning filters "EM-SC" Series



A mm	B mm	C mm	D mm	E mm	F mm
210	317	346	-	99	95
210	252	346	94	99	104
210	252	358	100	105	110
210	252	358	110	105	120

These filters have been designed to guarantee perfect water filtration, with minimum maintenance during their life, and with an easy to-use knob that activates the counter-flow back wash and ensures water supply to the user during cleaning.

The installation of the filter EM-SC may provide the water flow in both directions. Thanks to the patented rotator combined with a stainless steel cartridge AISI 316, the filters are suitable for waters rich in impurities, sand rust and other extraneous substances. Main advantages : - Featuring fittings that can rotate through 360° and brass head. **ADVANTAGES** Both the filter that the brass head are tested one by one for a long duration - filtration cartridge 316 stainless complete impeller (50 -125 -200- 500 microns)

- Knob for easy backwashing

- In accordance with the Ministerial Decree 443 - European regulations
- it is being approved according to DVGW;
- Installation with water flow in both directions

SPECIFICATIONS

- With gauges
- Filter with brass head PN 16
- Brass body
- Filter cartridge in stainless steel AISI 316
- Knob for backwashing

Item-Nr:	Description:
EMSC050	EM-SC self-cleaning filter 2" (DN50) M 200 µm - max 51 m3/h - PN 16
EMSC065	EM-SC self-cleaning filter 2½" (DN65) flanged M 200 µm - max 56 m3/h - PN 16
EMSC080	EM-SC self-cleaning filter 3" (DN80) flanged M 200 µm - max 67 m3/h - PN 16
EMSC100	EM-SC self-cleaning filter 4" (DN100) flanged M 200 µm - max 74 m3/h - PN 16

AUTOMATIC SELF-CLEANING FILTERS

KEW-A

Automatic self-cleaning filters "KEW-A" Series



Automatic Self-cleaning Filter

The filter is designed for the domestic range, ideal for the reduction and removal of unwanted sediment, such as sand, grit, debris, pipe scale and other loose particulate matter from the water and periodically flush them down the drain. It can be used as a pre-filter for the center water filter and softener.

Main features:

The filter has an electronic control that counts down the days until the next automatic flush of collected sediment particles. The number of days is programmable. Otherwise, the electronic controller can work either with the transformer or with a 6 volt battery.

The controller will indicate when the battery needs to be replaced. Very easy to use and reliable.

Technical parameters:

Model	KEW-A
Flow rate	35gpm
Working pressure	30~100psi
Working temperature	5~49°C
Inlet/outlet port	1"
Rating of filter mesh	70 micron
Dimension	133×105×381mm

Item-Nr:	Description:
KEWA025SR	KEW-A automatic self-cleaning filter 1" M 70 µm 2,2 m3/h- w/out pressure reducer
KEWABOARD	Spare electronic card for KEW-A automatic self-cleaning filter
KEWACART1	External replacement cartridges for automatic KEW-A self-cleaning filter
KEWACART2	Internal replacement cartridges for automatic KEW-A self-cleaning filter
KEWACOMBOW	Bowl for self-cleaning filter KAW-A

E-SC-A

Automatic self-cleaning filters "E-SC-A" Series



These filters have been designed to guarantee perfect water filtration, with minimum maintenance during their life. The cleaning of the filter is carried out by backwashing during which is guaranteed water users. Backwashing is implemented by a system electromechanical controlled by an adjustable timer based on need, equipped with a safety system which prevents flooding in the event of interruption current or faults.

The filter Model "E-SC" is equipped with brass fittings that can rotate through 360° and can be easily mounted on vertical and horizontal pipes. Thanks to the patented rotator combined with a stainless steel cartridge AISI 316, the filters are suitable for waters rich in impurities, sand rust and other extraneous substances. Main advantages : - Featuring fittings that can rotate through 360° and brass head. - tested one by one for a long lasting life Filtration through a stainless steel cartridge AISI 316 – 89 micron (also available with 50-200-500 microns) - Automatic backwash - it is being approved by DVGW

VORTEILE -Filter mit Dreh-Anschluss 360° und getestet Messing getestet eins nach dem anderen, um eine langfristige Filterpatrone mit Edelstahl AISI 316 DIN 19632: 100 uM (50-200-500 uM mit optionaler Patrone) - automatische Rückspülung
Gemäß Übereinstimmungen des Ministerium 443 - europäischen Bestimmungen - wird gerade nach DVGW geprüft;

SPECIFICATIONS

Available with and without pressure reducer (from 1 to 6 bar)

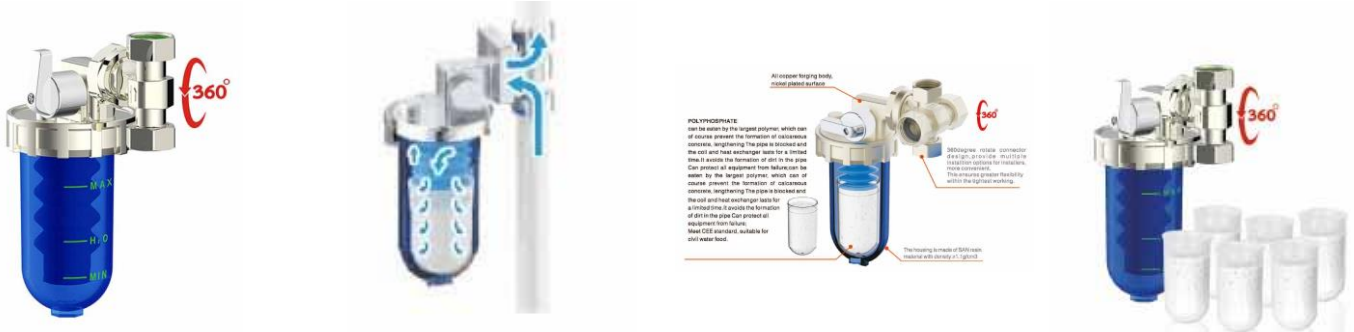
- Brass fitting that can rotate by 360°
- Brass head PN 16
- Stainless steel cartridge AISI 316
- Transparent bowl in Trogamid
- automatic backwash system, CE for devices powered low voltage compatible with the Machinery Directive

Item-Nr:	Description:
ESCA020SR	E-SC-A automatic self-cleaning filter ¾"- M 100 µm - max 8,5 m3/h - w/out pressure reducer
ESCA025SR	E-SC-A automatic self-cleaning filter 1"- M 100 µm - max 10,8 m3/h - w/out pressure reducer
ESCA032SR	E-SC-A automatic self-cleaning filter 1 ¼"- M 100 µm - max 11,7 m3/h - w/out pressure reducer
ESCA040SR	E-SC-A automatic self-cleaning filter 1 ½"- M 100 µm - max 13,3 m3/h - w/out pressure reducer
ESCA050SR	E-SC-A automatic self-cleaning filter 2"- M 100 µm - max 14,9 m3/h - - w/out pressure reducer

POLYPHOSPHATE BATCHERS AND ACCESSORIES

FLEXI 360°

Polyphosphate proportional batchers FLEXI 360° Series



Super Flexible Model 360° rotation with bypass Inlet outlet 1/2" with ring nut

Item-Nr:	Description:
DP04FL015G	Proportional polyphosphate batcher Flexi 360° brass head chromed w/ bypass conn.swivel nut 1/2" + NO refill
DP04FL015GR01	Proportional polyphosphate batcher Flexi 360° brass head chromed w/ bypass conn.swivel nut 1/2" +1 refill
DP04FL015GR06	Proportional polyphosphate batcher Flexi 360° brass head chromed w/ bypass conn.swivel nut 1/2" +6 refills

POLY-RIC

Polyphosphate refill cartridges for DOSPLUS/FLEXI 360° batchers Series



Item-Nr:	Description:
DPS00RP06s	Pre-hardened polyphosphates refill pack of 6 pcs. (Blister)

DS-PM

Scale preventing mini polyphosphate batchers for washing machines



Item-Nr:	Description:
DL03PP034PF	Special Mini polyphosphate batcher for washing machines w/polyphosphate
DL03PP034V	Special Mini polyphosphate batcher for washing machines (empty)

MAGNETIC DIRT SEPARATORS

DF-PLX

Magnetic dirt separator w/plastic housing PLX Series



§ Mandatory for the proper operation of your condensing boiler and plant
Your plant and boiler need the proper care to function properly and last for a long time. Our dirt separator is the first step. The installation of our device prevents breaks and malfunctions by separating and filtering the dirt and mud present inside the pipes. The contained magnetic device also makes the dirt separator suitable for installation on plants where there is a higher concentrations of ferrous particles, corrosion and corrosion. FURTHER ADVANTAGES Super compact Its super compact size allows it to be installed virtually under each boiler. The nickel-plated brass construction also makes it integrated with any other component of the plant and especially on exposed installations

- Powerful magnetic device The powerful internal magnetic device, coupled with the filter cartridge, is the heart of our dirt separator. The internal magnet is perpetually in contact with the fluid, with the certainty of a correct action. The device was designed to work to the fullest extent possible with domestic boilers. - Easy cleaning - With the opening of the drain valve, the dirt that is retained inside the device can be drawn. For more accurate cleaning of the magnet and cartridge, the dirt separator can be inspected inside and completely removable. - 100% Made in Italy

Item-Nr:	Description:
DFPLX01BI	Magnetic dirt separator DF-PLX plastic and brass body stainless steel cartridge

CONDENSATION NEUTRALIZER

NC-PH

Condensation neutralizer PH1



DESCRIPTION The NC-PH acidity neutralizing filter is specially designed to be installed in the condensation discharge of the new boilers. With this type of boilers you must face the problem of acidic condense that can not be discharged directly into the sewer as well as causing unpleasantness corrosion phenomena in exhaust pipes and chrome sinks. With our device you can safely download condensation water as it will come preventively neutralized the PH thanks to the product contained within it. **PRINCIPLE OF OPERATION** NC-PH acidity neutralizing filters are been specially designed to work with boilers of power <35 KW. With the installation of the device forces condensation to transit through

a bed of neutralizing material varies the PH making it fall within the limits set for the free discharge, without damaging pipes, gutters, sinks or any other component of the domestic plant. Water once crossed the device will return to alkaline values (PH> 7). **TECHNICAL FEATURES** BODY AND HEAD: plastic material, INLET / OUTPUT FITTINGS: plastic material 3/4", hose connector diam.20 mm, NEUTRALIZING CHARGE: CaCO3, O-RING: EPDM,CAPACITY: 3 l / h
CHARGE REPLACEMENT: 8/12 months or until sold out
WATER TEMP: 5/40 ° C **DIMENSIONS :** H with curved connection = 230mm H with curved connection = 245mm Google Traduttore per le aziende:

Item-Nr:	Description:
NC001DLT	Acid condensate neutralizer filter PH-DLT for condensation boilers <35 KW
NC001RIC01DLT	Refill DLT for condensate neutralizer filter dolomite

NC-PH 2

Condensation neutralizer PH2



Item-Nr:	Description:
NC002ACB	Acid condensate neutralizer filter PH2-ACB for condensation boilers <35 KW
NC002KITRAC	Refill ACB for condensate neutralizer filter alkaline ceramic balls
NC002RIC01ACB	Refill ACB for condensate neutralizer filter alkaline ceramic balls

BOILER KIT

BOILER KIT

Boiler kit: dirt separator + polyphosphate dispenser + acid condensation neutralizer



§

Item-Nr:	Description:
KITCALD01ACB	Boiler kit #01 Acid condensation neutralizer ACB+polyphosphate dispenser+plastic dirt separator
KITCALD01DLT	Boiler kit #01 Plastic dirt separator+polyphosphate dispenser+acid condensation neutralizer DLT